



# self-priming cast iron shallow well jet pump



## KN SERIES

### SPECIFICATIONS

- Priming Time (one fill):**  
 at 15': 3.3 minutes max.  
 at 25': 8.3 minutes max.
- Max. Liquid Temperature:** 140°F
- Max. Inlet Pressure:** 40 PSI
- Max. Inlet PSI + Pump Discharge PSI:** Not to exceed 100 PSI
- Body** – Close-grained cast iron
- Nozzle** – High strength polycarbonate
- Venturi** – Polycarbonate
- Impeller** – Noryl®
- Diffuser** – Reinforced polypropylene
- Shaft** – One-piece threaded stainless steel
- Base** – Heavy gauge steel
- Motor** – A.O. Smith

### FEATURES

- Jet Pump** – Cast Iron, 1/2 HP, fastest priming in its category (under 9 minutes to 25 feet with a single fill).
- Performance** – Strong pump, 70 PSI shut-off pressure, 7.4 GPM at 40 PSI.
- Motor** – Long life A.O. Smith, one-piece stainless steel pump/motor shaft, heavy-duty ball bearings, thermal overload protected, heavy-gauge integral motor base.
- Nozzle and Venturi** – Easy access for service, clean-out, and pump priming.
- Pump Case** – Heavy-duty close-grained cast iron.
- Switch** – Quality 30-50 PSI pressure.

This product is Listed to UL Standards for Safety by Underwriters Laboratories Inc. (UL).



**The KN Series cast iron shallow well jet pump provides strong performance with superior pressure for wells up to 25' deep. The internal-priming-baffle allows the KN Series to prime in under 9 minutes at a 25' lift! (no re-priming required). Self-priming after the pump housing has been filled with water.**

**Industry standard 1-1/4" suction and 1" discharge connections. Top-mounted priming plug allows easy access to the nozzle and venturi for clean-out and servicing.**

### APPLICATIONS

- **Water systems and sprinkling...** for homes, farms and cottages.

### ORDERING INFORMATION

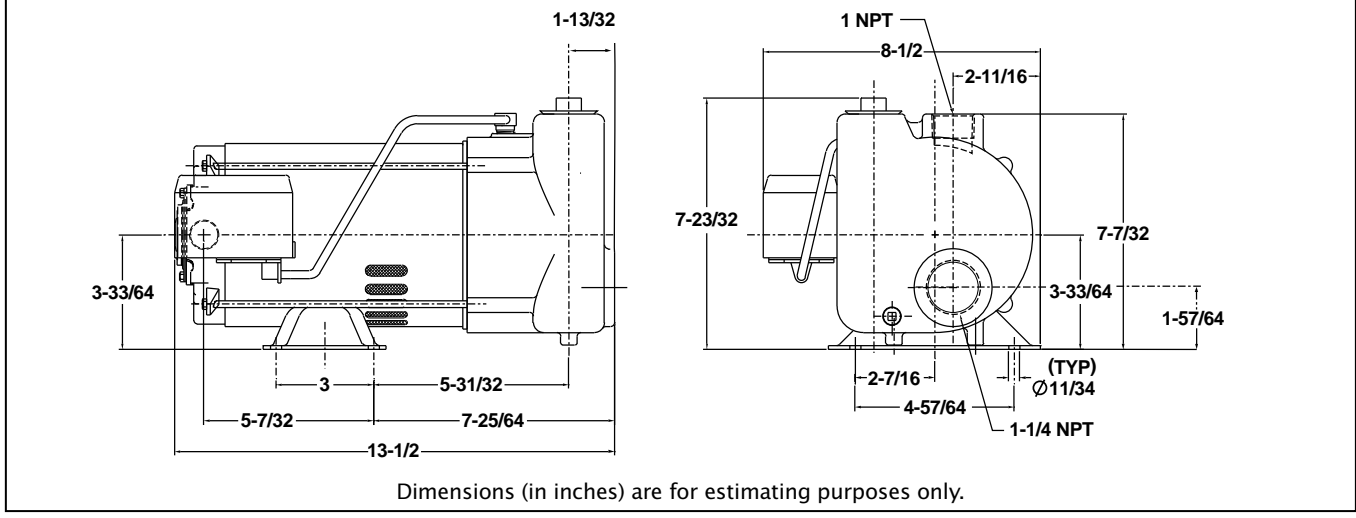
Catalog Number	HP	Switch Setting	Description	Pipe Tapping Sizes		Motor Voltage	Approx. Wt. Lbs.
				Suct.	Disch.		
KNC-L	1/2	30-50	Base Mounted Pump	1-1/4"	1"	115	31

Noryl® and Lexan® are registered trademarks of General Electric Co. In order to provide the best products possible, specifications are subject to change.



# self-priming cast iron shallow well jet pump

## OUTLINE DIMENSIONS



## PUMP PERFORMANCE (Capacity in Gallons Per Minute)

Catalog Number	HP	Voltage	UL/ CSA	Pressure Switch Setting	Discharge Pressure PSI	Dynamic Suction Lift in Feet					Shut-Off Pressure PSI
						5'	10'	15'	20'	25'	
KNC-L	1/2	115V	Yes	30/50	20	8.2	7.1	6.0	4.8	3.0	70
					30	7.8	6.7	5.8	4.6	2.9	
					40	7.4	6.3	5.6	4.4	2.8	
					50	6.1	5.9	5.3	4.2	2.7	
					60	2.5	2.3	2.1	2.1	1.6	

Published pump performance data is stated per the National Hydraulic Institute Standards.

## PUMP PERFORMANCE

